



PARTS (NOT TO SCALE)

Horizontal Bottom Section

Vertical Radius Tubes

Vertical Straight Tubes

Vertical Curved Tubes

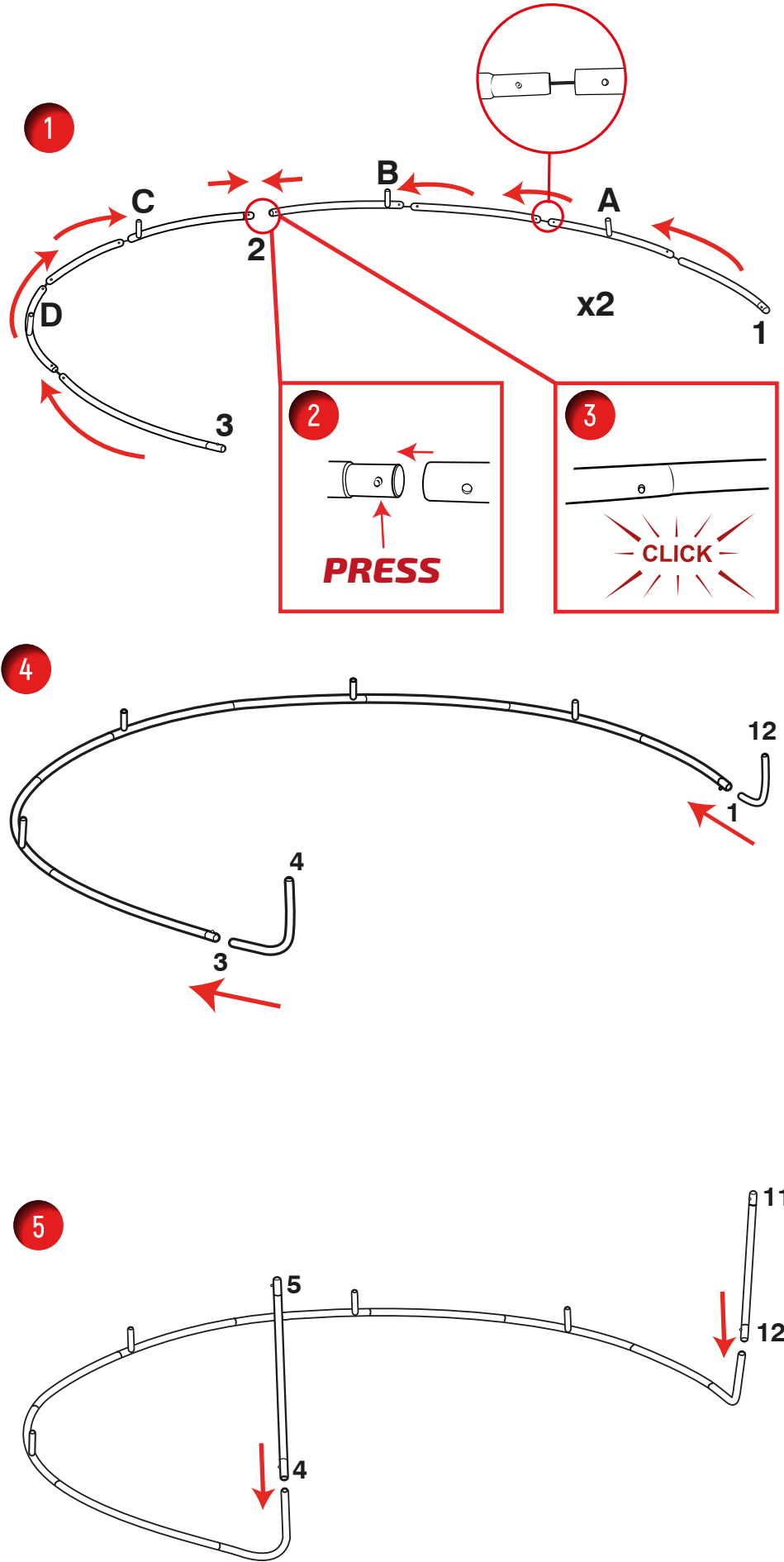
Horizontal Top Sections

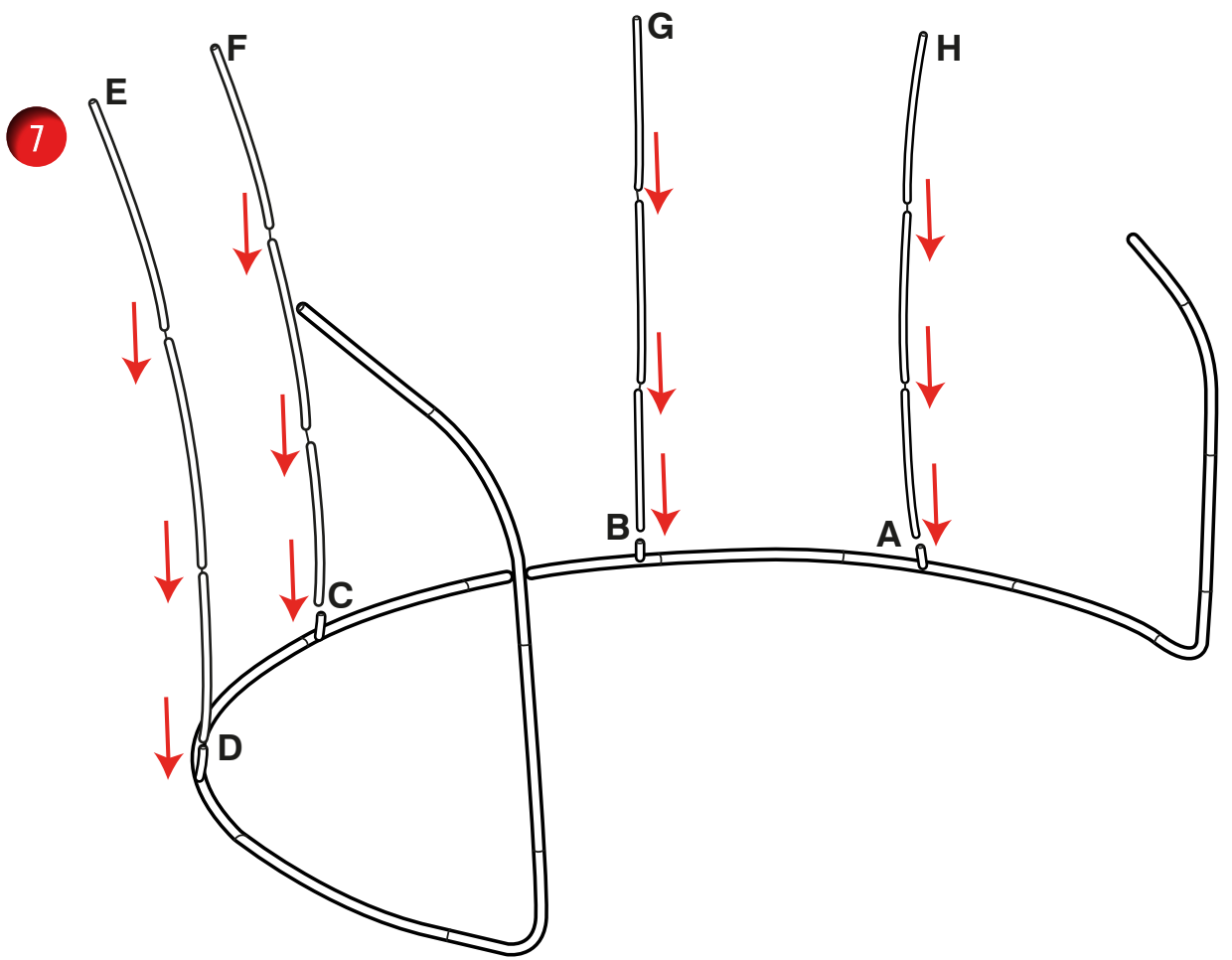
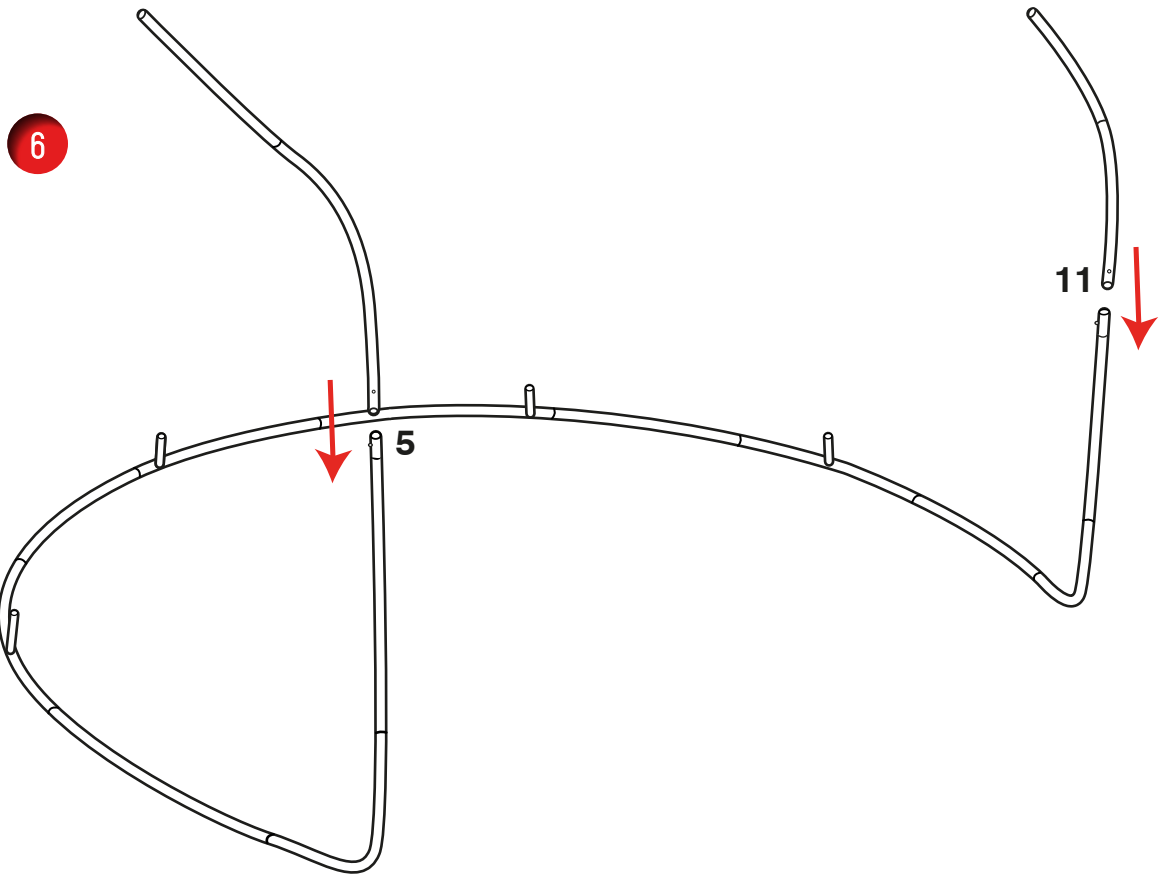
Support Tube Sections

Gloves

TOOLS REQUIRED

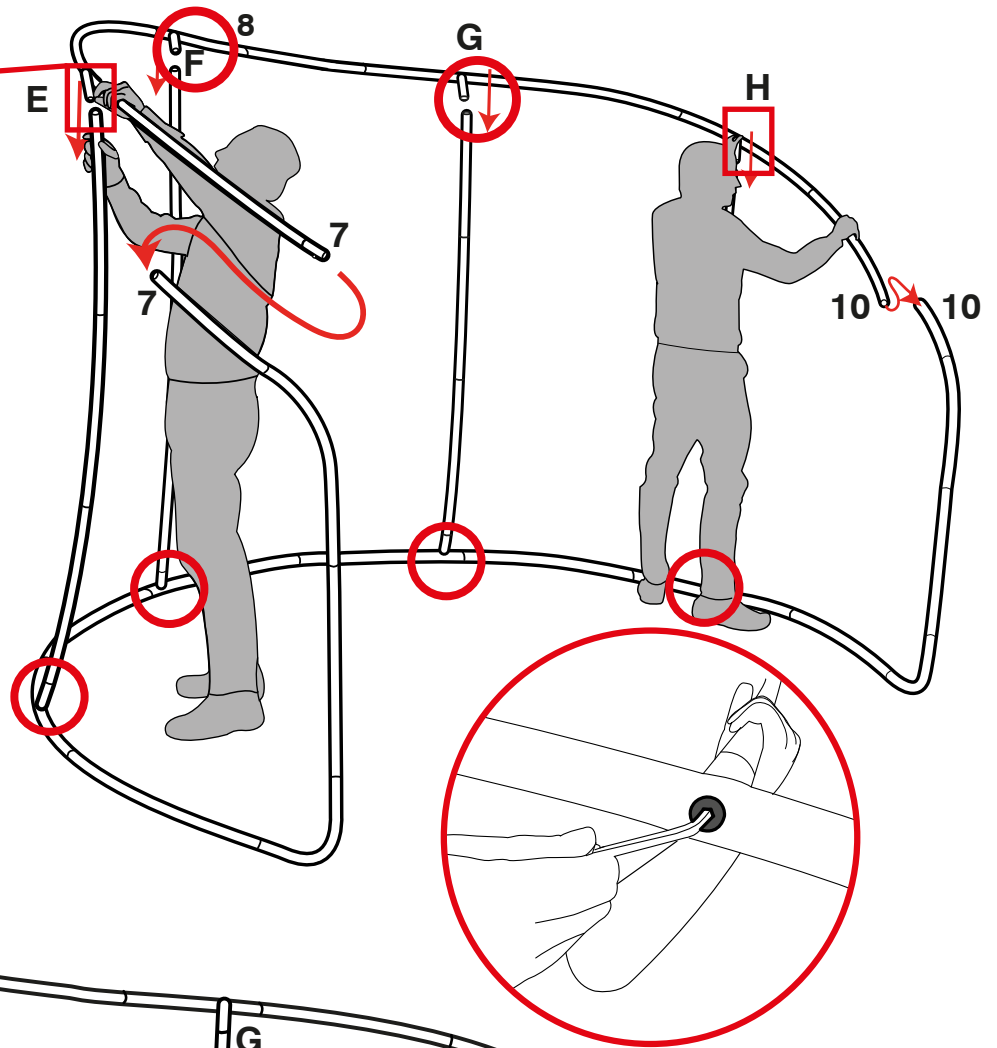
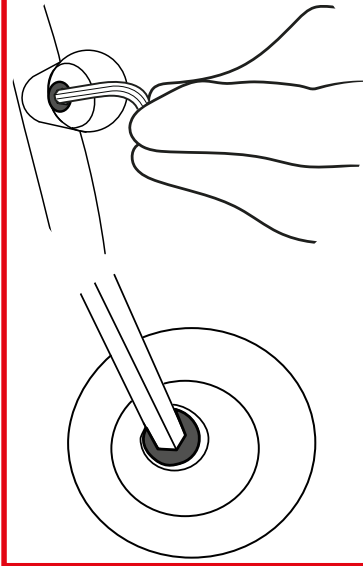
Allen Key is supplied



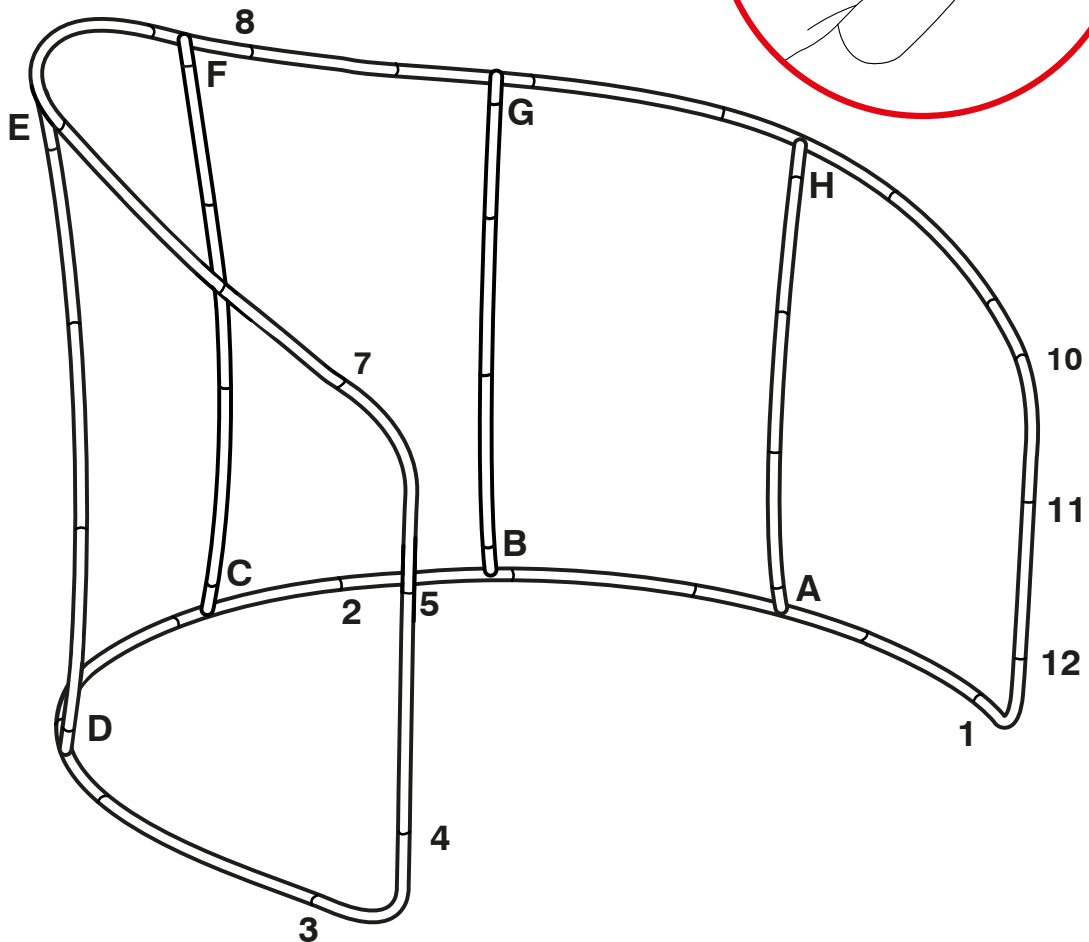


8 NOTE: if required use the allen key supplied to tighten the frame

NOTE: USE ALLEN KEY TO TIGHTEN INSIDE E AND H TUBES



9



Formulate Meeting Pod

Jul 2018

